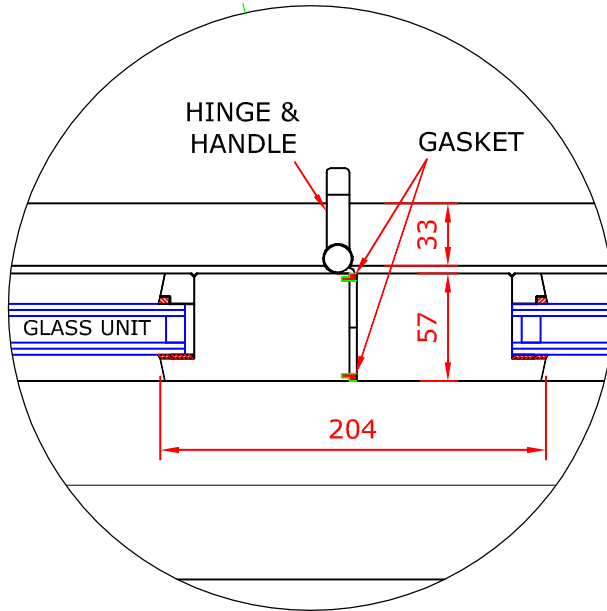


EXTERNAL



Title:

KUSTOMFOLD TIMBER
FOLDING DOOR, CLOSED
HORIZONTAL SECTION,
3 PANEL (KLO3L)

Revision Date:

Revision:

Drg No:

KLO-010/0010

klöeber

Advanced Glazing Solutions

info@kloeber.co.uk
www.kloeber.co.uk

This drawing is copyright ©. No part shall be copied or otherwise reproduced without prior written permission of the company.