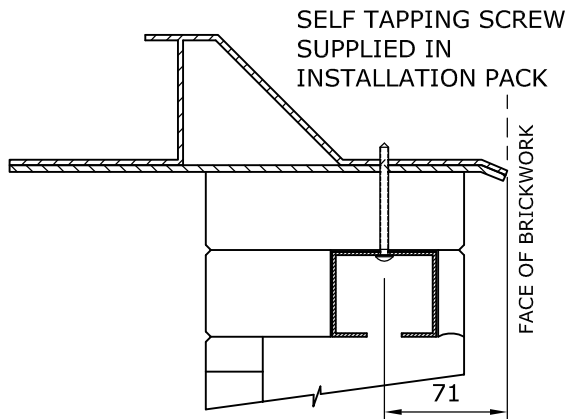
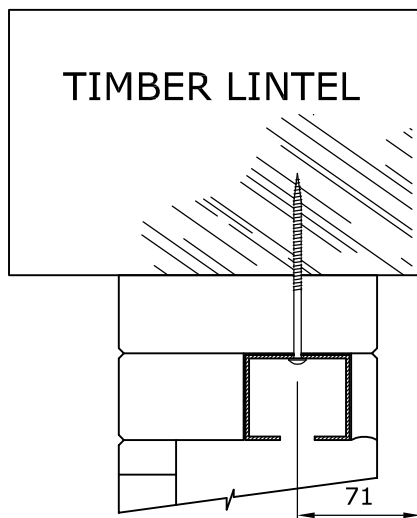
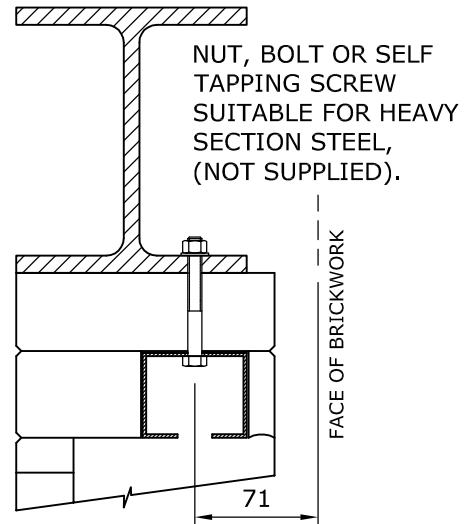


## STANDARD NEW BUILD CATNIC LINTEL

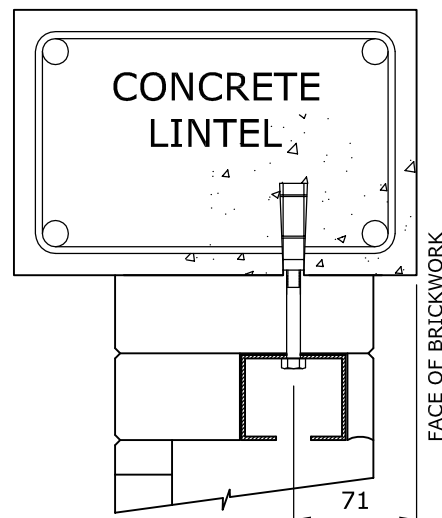
NOTE: HEAVY DUTY CATNIC  
LINTEL RECOMMENDED WITH A  
CLOSED BASED



## STRUCTURAL STEEL LINTEL



100mm WOODSCREW,  
(NOT SUPPLIED).



ANCHOR BOLT,  
(NOT SUPPLIED).

Title:

KUSTOMFOLD TIMBER  
FOLDING DOOR, FRAME  
HEAD TO LINTEL FIXING  
OPTIONS

Revision Date:

08.09.15

Revision:

A

Drg No:

KLO-010/0056

**klöeber**

Advanced Glazing Solutions

info@kloeber.co.uk  
www.kloeber.co.uk

This drawing is copyright ©. No part shall be copied or otherwise reproduced without prior written permission of the company.