

A large majority of the projects we are involved in at Kloeber include manoeuvring large or heavy objects into position. We do this on a number of varying sites from new build properties to extensions on existing houses.

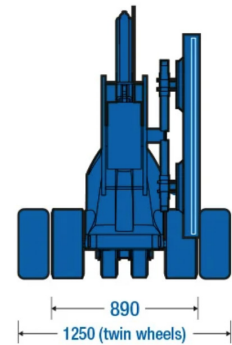
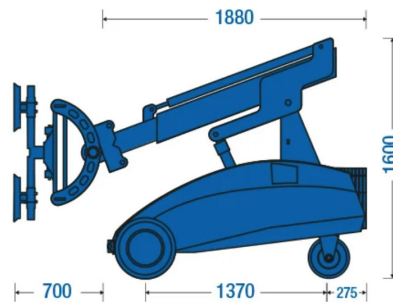
Your quotation/ order includes an item(s) which falls into this category and so we would like you to read the information below and if you have any questions, please do not hesitate to contact us to discuss further.

Each site is different and so we need to decide how best to install your products. The more information we can be provided with at this early stage, the better.

The lifting equipment we use on **almost all** of our jobs is shown below.



Dimensions (mm)



In order to be able to use the above equipment on your site we require confirmation of the following:



A safe area to unload the equipment from the delivery vehicle, with clearance of at least 3m.

Flat, level, compact ground for the entirety of the route from drop off point to each aperture – photos to be provided.

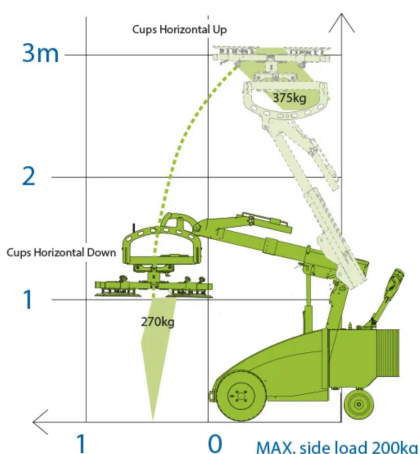
A minimum width of **at least** 1000mm along the route in order to safely manoeuvre the products to the aperture.

No obstructions on the route – anything that can't be moved to be discussed with Kloeber as early as possible to determine alternative route, if possible.

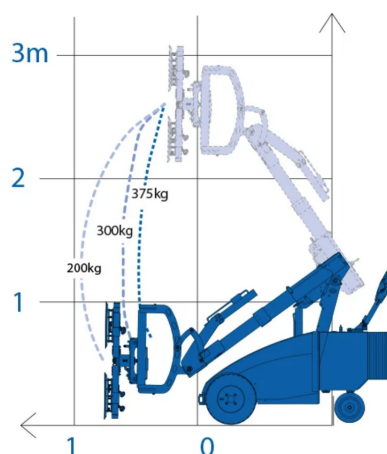
The turning circle of the robot will vary depending on the size of the glass it is carrying – please discuss further with your Technical Sales Consultant if areas where the robot will be travelling are constricted.

Depending on the information provided above, and the location of the apertures in question, it may be possible to manually handle the items rather than use lifting equipment – Kloeber Operations Team will be able to make a decision on what is best for your project once the information has been received.

### Pick and place



### Reach



### Technical Specification

Max. working height	3600mm
Max. extension	1800mm
Max capacity – at ground level	575kg
Full extension capacity	275kg
Side lift capacity	275kg

If, after reading this information you believe you have apertures and/or products that fall outside of these parameters, please contact your Technical Sales Consultant or Kloeber Operations Team to discuss further.